

EECS 40 MIDTERM 1

FALL 2004
Prof. White

Print Name _____

Sign Name _____

1	/6
2	/13
3	/20
4	/14
5	/12
6	/5
7	/20
8	/10
Total	/100

Problem 1 General Questions [6]

[1] To measure the voltage drop of a current-carrying resistor you put your voltmeter in series with the resistor. True ___ False ___

[1] The amount of current flowing in a resistor decreases linearly as we go from its positive terminal to its negative terminal. True ___ False ___

[1] The equivalent circuit for three inductors in parallel is like that for three resistors in parallel except that L's replace R's. True ___ False ___

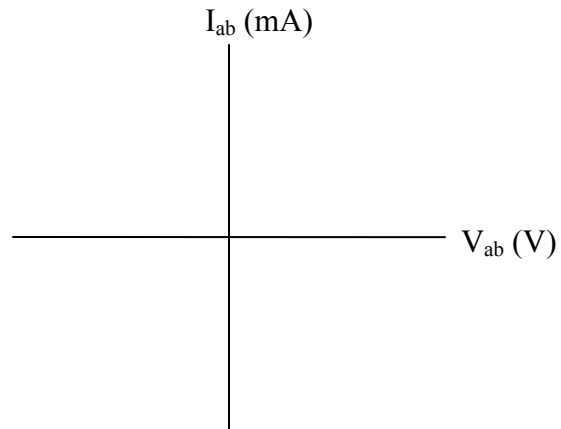
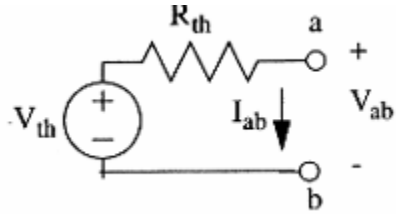
[1] List the circuit elements that are linear: _____

[1] List the circuit elements that dissipate energy: _____

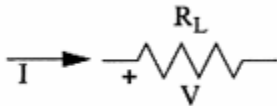
[1] The conductance of a 47Ω resistor is _____ (value) _____ (unit)

Problem 2 I-V Plots [13]

[8] a. On the axes given plot the I-V curve for the Thevenin equivalent circuit below, where $V_{th} = 10\text{ V}$ and $R_{th} = 200\ \Omega$. (Note: of course for a finite current I_{ab} to flow, something must be connected between terminals a and b.)



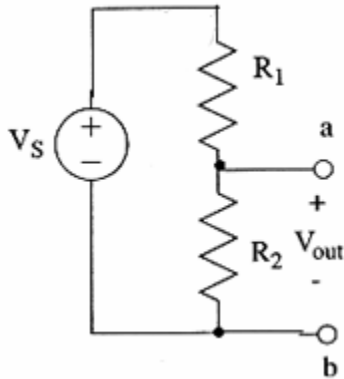
[5] b. On the same I-V axes plot the I-V curve for a resistor $R_L = 400\ \Omega$



Problem 3 Voltage Divider, Maximum Power Transfer [20]

[5] a. The voltage divider shown below is supposed to have an output of 5 V and is to draw no more than 100 mA from the voltage source when the voltage divider output is not loaded (open-circuited). Find R_1 and R_2 give $V_s = 12$ V.

Answer: $R_1 = \underline{\hspace{2cm}}$ $R_2 = \underline{\hspace{2cm}}$



[5] b. Find the Thevenin equivalent circuit at terminals a, b for the circuit of Part a. Make your method clear. Give both the values and units in your answer.

Answer: $V_{th} = \underline{\hspace{2cm}}$ $R_{th} = \underline{\hspace{2cm}}$

Note: Answers from here on may cause the maximum current limit to be exceeded.

[4] c. If we connect a variable resistive load across terminals a, b, what is the maximum current we could draw through the load?

Answer: Maximum current = _____

[4] d. What load resistance would produce the maximum power transfer from the voltage divider, and what is the value of that power?

Answer: Load Resistance = _____ Max. Power = _____

[4] e. Thought question: If we had a $100\ \Omega$ load resistor R_L connected to the output of a Thevenin equivalent circuit having a fixed $V_{th} = 2\ \text{V}$ and a variable R_{th} , what value of R_{th} would produce maximum power dissipation in R_L ?

Answer: $R_{th} =$ _____ Maximum possible power dissipation in load = _____

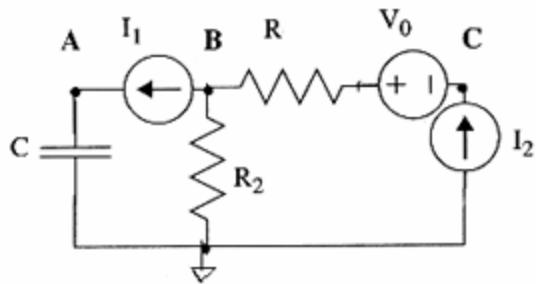
Problem 4 Nodal Analysis [14]

[9] a. For the circuit below write a set of three nodal equations. (Apply KCL at nodes A, B, and C, and use $i_C = Cdv_C/dt$ for the capacitor.) DO NOT SOLVE ANY EQUATIONS.

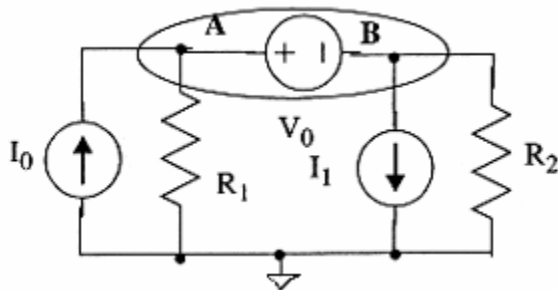
Answer: Node A:

Answer: Node B:

Answer: Node C:



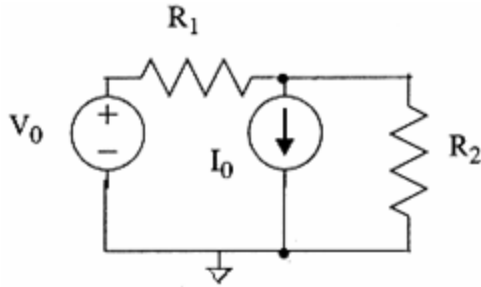
[5] b. A “supernode” is shown by the oval in the circuit below. Write the nodal equation that applies at the “supernode”. DO NOT SOLVE THE CIRCUIT EQUATIONS.



Problem 5 Power [12]

Find the power that is either dissipated in or delivered by the current source I_0 in the circuit below, and determine whether the power is dissipated or delivered. Make your methods clear to the grader. Given $V_0 = 5 \text{ V}$; $I_0 = 2 \text{ mA}$; $R_1 = 1 \text{ k}\Omega$; $R_2 = 2 \text{ k}\Omega$.

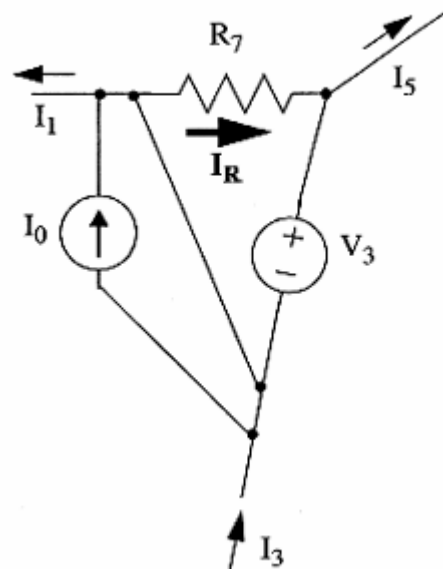
Answer: Power dissipated/delivered (circle one) is _____ (value) _____ (unit)



Problem 6 Circuit Fragment [5]

A resistor in a portion of a very large circuit is shown. Find the current I_R given $R_7 = 100 \text{ k}\Omega$; $V_3 = 2 \text{ V}$; $I_0 = 5 \text{ mA}$; $I_1 = -15 \text{ mA}$; $I_3 = 25 \text{ mA}$; $I_5 = 40 \text{ mA}$.

Answer: $I_R =$ _____



Problem 7 Superposition and Dependent Sources [20]

Analyze the circuit below to find V_{out} using the principle of superposition as follows:

[6] a. Draw each of the circuits whose solutions you will superpose to find V_{out} .

[6] b. Solve for V_{out} for each of those circuits.

Answer: $V_{out1} =$ _____

Answer: $V_{out2} =$ _____

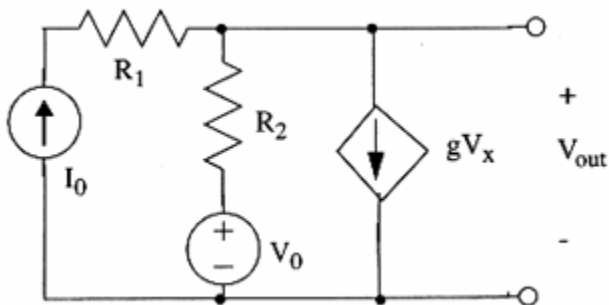
Answer: $V_{out3} =$ _____

[6] c. Put it all together to find the actual V_{out} .

Answer: $V_{out} =$ _____

[2] d. What are the units of the constant g ?

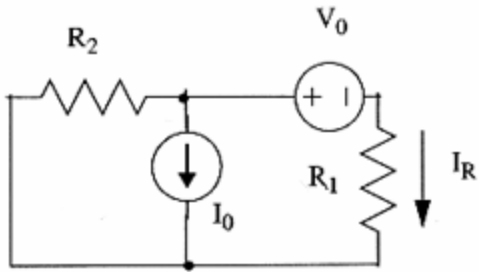
Answer: _____



Problem 8 Mesh Analysis [10]

Find I_R using the mesh current method. Make your choices of mesh currents and your analysis clear to the grader.

Answer: $I_R =$ _____ (value) _____ (unit)



THE END