

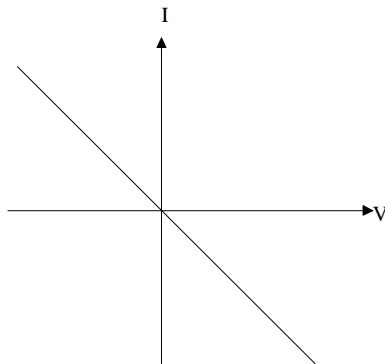
Midterm Examination #1  
T.-J. King and R. M. White  
February 25, 1997

**Problem 1, Part I (9 Points)**

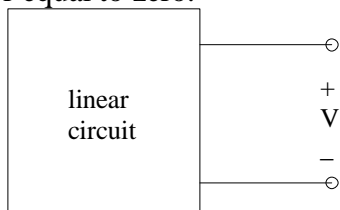
**Assume Resistors cannot have negative values. Reminder: Linear DC circuits can include both independent and dependent sources.**

Answer True (T) or False (F):

- \_\_\_ (a) When an amplifier block, whose 3 parameters are  $R_i$ ,  $R_o$ , and  $A$ , is used as part of a larger circuit, the input resistance of the larger circuit,  $R_i'$  will be affected by a load resistance  $R_L$  connected between the output terminals of the larger circuit only if one or both of the amplifier block's output terminals is fed back to one or both of the amplifier block's input terminals.
- \_\_\_ (b) All linear circuits must have both Thevenin and Norton equivalents.
- \_\_\_ (c) Two circuits with identical I-V characteristics must be identical.
- \_\_\_ (d) In any given circuit, the power which is dissipated by an ideal resistor always increases with its resistance.
- \_\_\_ (e) A two-terminal linear dc circuit cannot have the I-V characteristic below



- \_\_\_ (f) The parallel combination of any number of resistors is equivalent to a single resistor with value smaller than the rest of the resistors.
- \_\_\_ (g) Kirchoff's laws are valid for non-linear circuits as well as linear circuits.
- \_\_\_ (h) No power is dissipated in an ideal voltmeter.
- \_\_\_ (i) For a dc linear circuit, the I-V characteristic will always have a slope  $\frac{\Delta I}{\Delta V}$  greater than or equal to zero.



**Problem 1, Part II (9 points)**

Multiple choice:

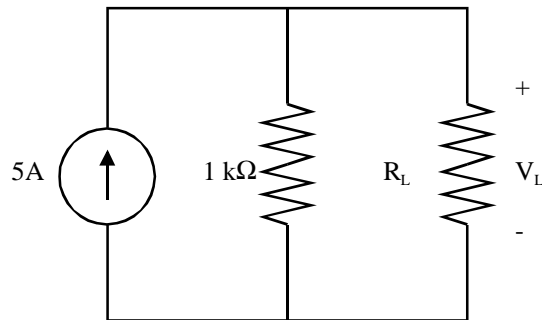
Answer (a) if it cannot be determined how the indicated parameter varies with  $R_L$ .

(b) if the indicated parameter does not depend on  $R_L$ .

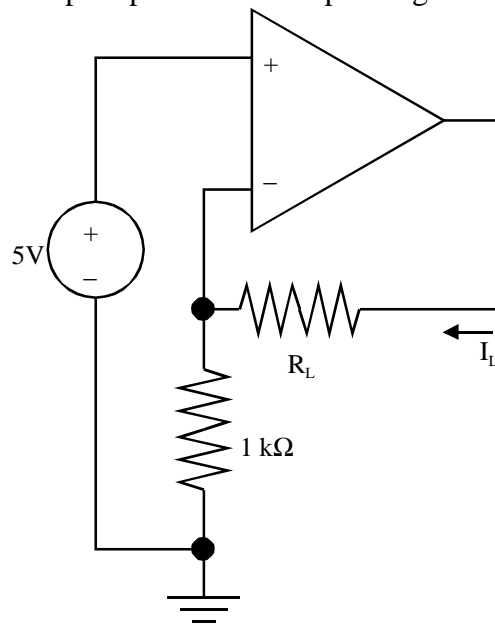
(c) if the indicated parameter decreases with increasing  $R_L$ .

(d) if the indicated parameter increases with increasing  $R_L$ .

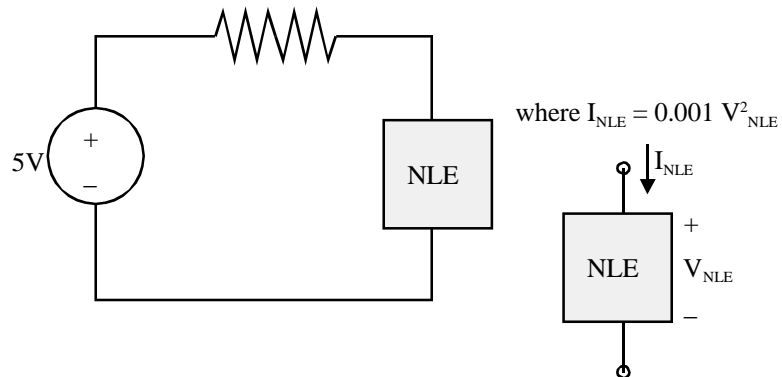
\_\_\_ ( $V_L$ )



\_\_\_ ( $I_L$ ) (assume that the op-amp is ideal and operating linearly)



\_\_\_ ( $I_L$ )



**Problem 2 (20 points)**

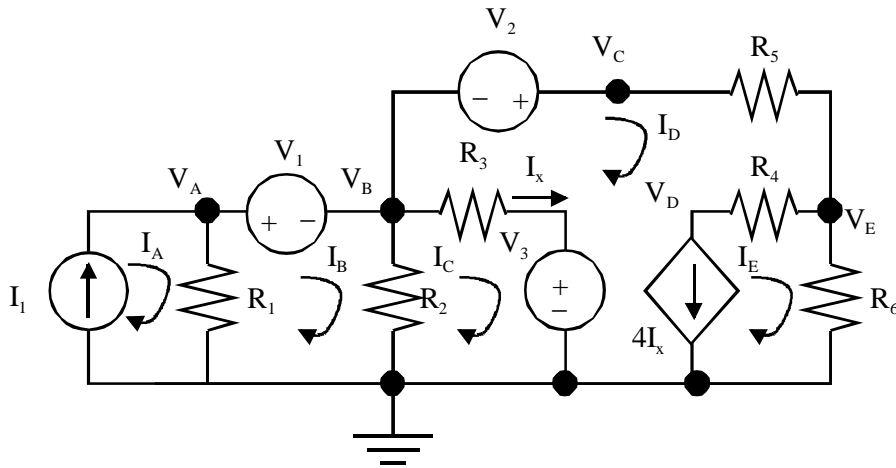
In the circuit below, the independent source values and resistances are known.

- (a) The nodal analysis to write the five equations sufficient to solve  $V_A$ ,  $V_B$ ,  $V_C$ ,  $V_D$ , and  $V_E$ .
- (b) Use nodal analysis to write the five equations sufficient to solve for  $I_A$ ,  $I_B$ ,  $I_C$ ,  $I_D$ , and  $I_E$ .

**Note:**  $I_x$  should not appear in these equations.

**DO NOT SOLVE THESE EQUATIONS!**

To receive credit, you must put your answers in the space provided on Page 4.



(a) EQ1 \_\_\_\_\_

EQ2 \_\_\_\_\_

EQ3 \_\_\_\_\_

EQ4 \_\_\_\_\_

EQ5 \_\_\_\_\_

(b) EQ1 \_\_\_\_\_

EQ2 \_\_\_\_\_

EQ3 \_\_\_\_\_

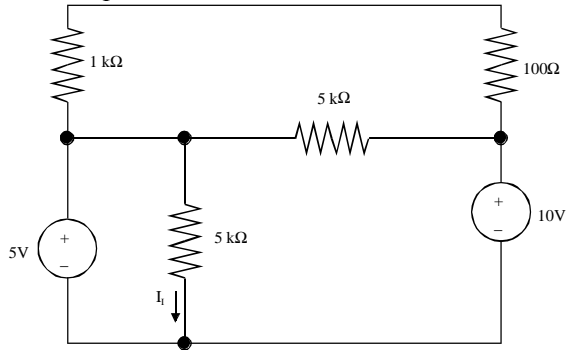
EQ4 \_\_\_\_\_

EQ5 \_\_\_\_\_

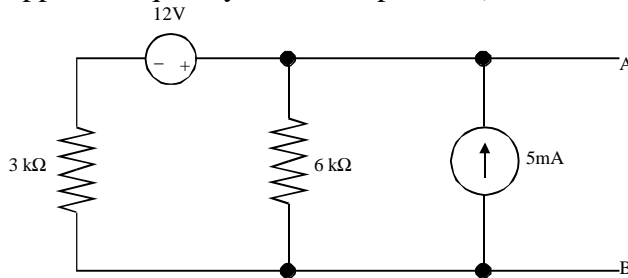
**Problem 3 (20 points)**

**(Note: Do not attempt to solve these problems by nodal analysis; they can be solved almost by inspection.)**

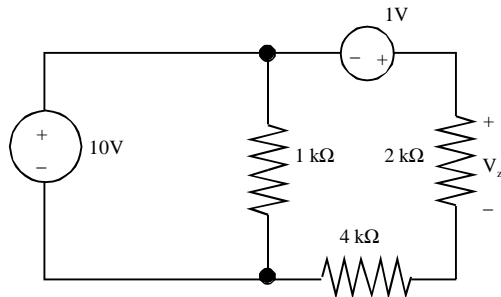
(a) Find  $V_Y$ .



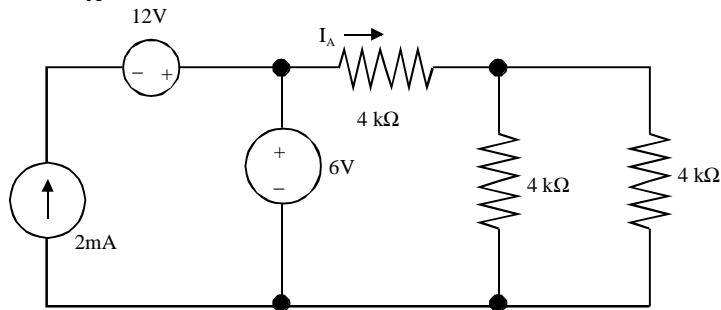
(b) Find the Norton equivalent of this circuit (Hint: Source transformation can be applied to quickly solve this problem)



(c) Find  $V_Z$ .

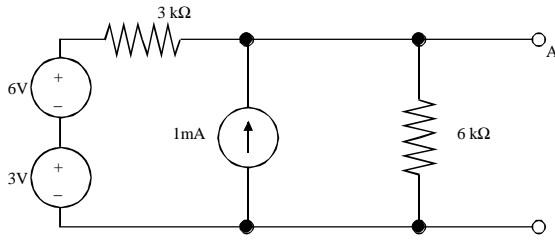


(d) Find  $I_A$ .



**Problem 4 (20 points)**

(a) Draw the Thevenin equivalent of the circuit, for  $V_S = 0V$ .

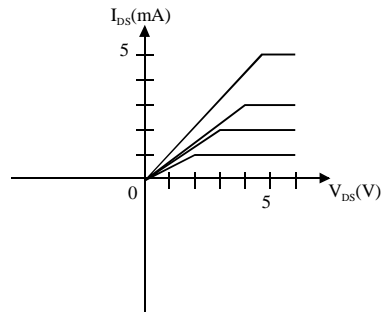
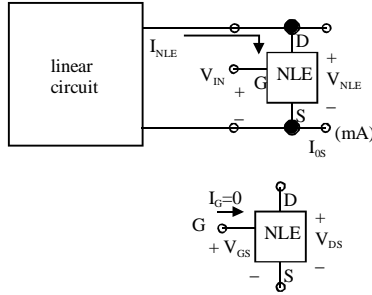


$V_T$  \_\_\_\_\_

$R_T$  \_\_\_\_\_

(b) Suppose now that the circuit in (a) with  $V_S = 0V$  is used to supply power to a three-terminal non-linear element:

Find  $V_{NLE}$  and the power dissipated in the NLE for  $V_{IN} = 0V$  and  $4V$ .



$V_{IN} = 0V$ :  $V_{NLE}$  \_\_\_\_\_

$P_{NLE}$  \_\_\_\_\_

$V_{IN} = 4V$ :  $V_{NLE}$  \_\_\_\_\_

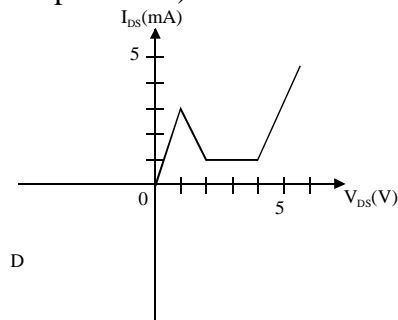
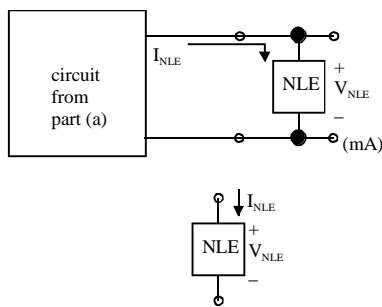
$P_{NLE}$  \_\_\_\_\_

(c) Suppose now that the circuit in (a) is connected to a two-terminal non-linear element:

How many operating points exist for this circuit, for  $V_S = 0V$ ?

For what values of  $V_S$  will there exist only a single operating point for this circuit?

(Hint: The superposition method might be helpful here.)



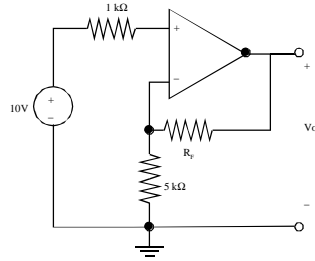
Number of Operating Points = \_\_\_\_\_

$V_S$  must be \_\_\_\_\_ to ensure a single operating point

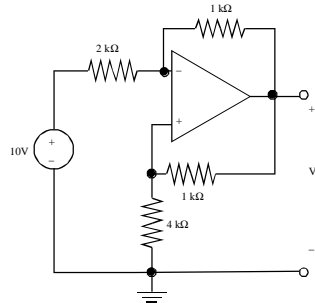
**Problem 5 (20 points)**

Assume the op-amps below are ideal, and that their saturation voltages are  $V_D = \pm 16V$

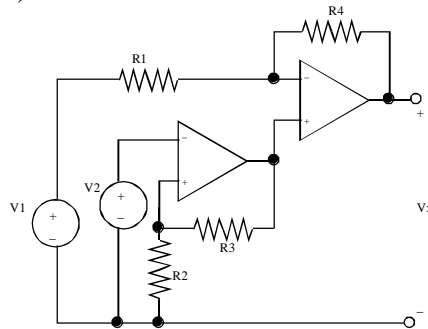
(a) For what values of  $R_F$  will the op-amp be saturated?



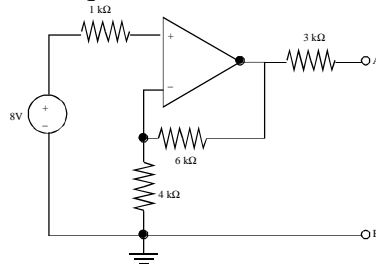
$R_F$  \_\_\_\_\_  
 (b) Find  $V_0$ .



$V_0 =$  \_\_\_\_\_  
 (c) Find  $V_X$  in terms of  $V_1$ ,  $V_2$ ,  $R_1$ ,  $R_2$ ,  $R_3$ ,  $R_4$ . (Hint: The superposition method might be helpful here.)



$V_X =$  \_\_\_\_\_  
 (d) Find the Thevenin Equivalent of this circuit.



$V_T$  \_\_\_\_\_  
 $R_T$  \_\_\_\_\_